

senses[®]

ROLLER & MIRAGE SYSTEM

INFORMATION PACK

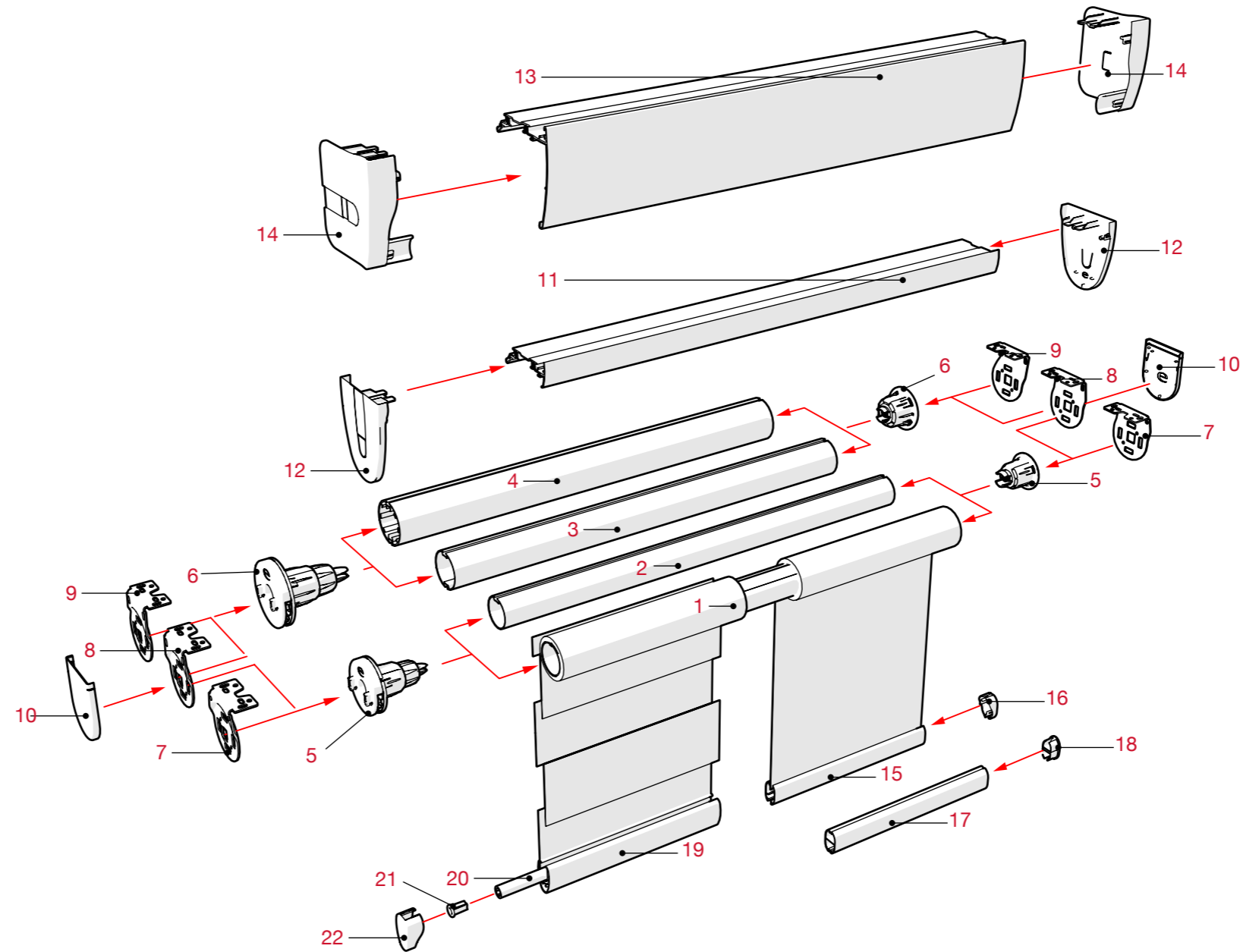


Senses Roller & Mirage System: CHAIN-OP

SYSTEM USPS, BENEFITS & FEATURES

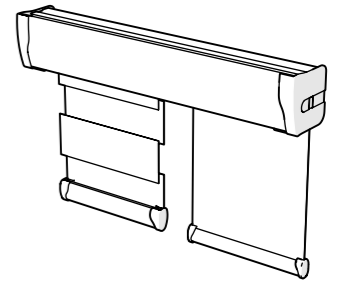
- Increased sprocket diameter & enclosed tooth design to improve chain pick-up
- Easy pin end location with haptic feedback
- Reduced noise in operation
- Improved smoothness of operation through increased diameter bearing surfaces
- Universal bracket mounts - non bracket specific
- Improved chain loading methods
- Flexi-fit body to improve fit to tubes
- 40mm unit directly compatible with 40 & 48mm tubes
- Achieve widths of up to 3.5m and drops of up to 6m
- Achieve weight capacity of up to 9kg.
- Lifecycle tested for 10 years to ensure long lasting performance
- Standard & heavy duty options
- Nylon exterior with Acetal interior running surface
- Stainless steel spring operational mechanism
- Used with no. 10 plastic and metal chain
- Patented nose cone chain loading technology
- Internal metal plate added to improve longevity of friction unit

Diagram shows Chain-Op configuration across 32, 40 & 48 system



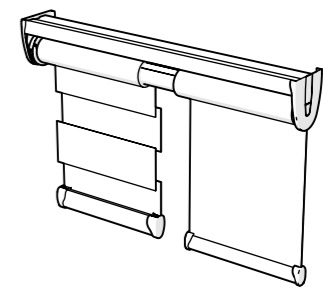
CHAIN-OP SYSTEM COMPATIBILITY

Senses Universal Fascia



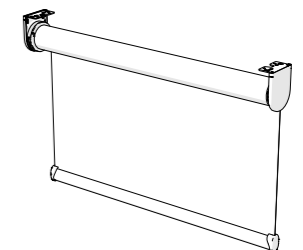
Compatible with 32, 40 & 48mm system as Roller & Mirage

Senses Mounting Profile



Compatible with 32, 40 & 48mm system as Roller & Mirage

Senses Standard Fit



Compatible with 32, 40 & 48mm system as Roller

INDEX

TUBE	FRICION UNIT & PIN ENDS	BRACKETS	MOUNT PROFILE	FASCIA	BOTTOM BAR - ROLLER	BOTTOM BAR - MIRAGE
<ol style="list-style-type: none"> RH307 – 32mm Taped Tube RH130 – 32mm Notched Tube RH132 – 40mm Double Notched Tube RH133 – 48mm Double Notched Tube 	<ol style="list-style-type: none"> RH900, RH900GR, RH900BL – 32mm Friction Unit & Pin End Set Standard Duty RH901, RH901GR, RH901BL – 32mm Friction Unit & Pin End Set Heavy Duty RH902, RH902GR, RH902BL – 40mm Friction Unit & Pin End Set Standard Duty RH903, RH903GR, RH903BL – 40mm Friction Unit & Pin End Set Heavy Duty 	<ol style="list-style-type: none"> RH910, RH910S, RH910BL – Senses Roller Bracket Small (used with RH900 & RH901 only) RH911, RH911S, RH911BL – Senses Roller Bracket Medium RH912, RH912S, RH912BL – Senses Roller Bracket Large RH913 – Senses Roller Bracket Cover 	<ol style="list-style-type: none"> RH908, RH908S – Senses Mounting Profile RH909, RH909CH – Senses Mounting Profile Endcap 	<ol style="list-style-type: none"> RH906, RH906S, RH906BL, RH906AN, RH906CR – Senses Universal Fascia RH907, RH907CH, RH907BCH, RH907AN, RH907CR – Senses Universal Fascia Endcap Set 	<ol style="list-style-type: none"> RH6591, RH6591S, RH6591BL, RH6591AN, RH6591CR – Senses Aluminium No-Sew Bottom Bar RH6592, RH6592CH, RH6592BCH, RH6592AN, RH6592CR – Senses Aluminium No-Sew Bottom Bar Endcap Set RH6593 – Senses PVC No-Sew Bottom Bar RH6594 – Senses No-Sew Endcap 	<ol style="list-style-type: none"> RH211, RH211S, RH211BL, RH211AN, RH211CR – Senses Enclosed Profile Bottom Bar RH203, RH203S, RH203BL, RH203AN, RH203CR – Senses Rolling Bottom Bar RH207CL – Senses Rolling Bottom Bar Endcap RH212, RH212CH, RH212BCH, RH212AN, RH212CR – Senses Enclosed Profile Endcap

COLOUR KEY:

W – White, CR – Cream, S – Silver, AN – Anthracite, BL – Black, CH – Chrome, BCH – Black Chrome, GR – Grey

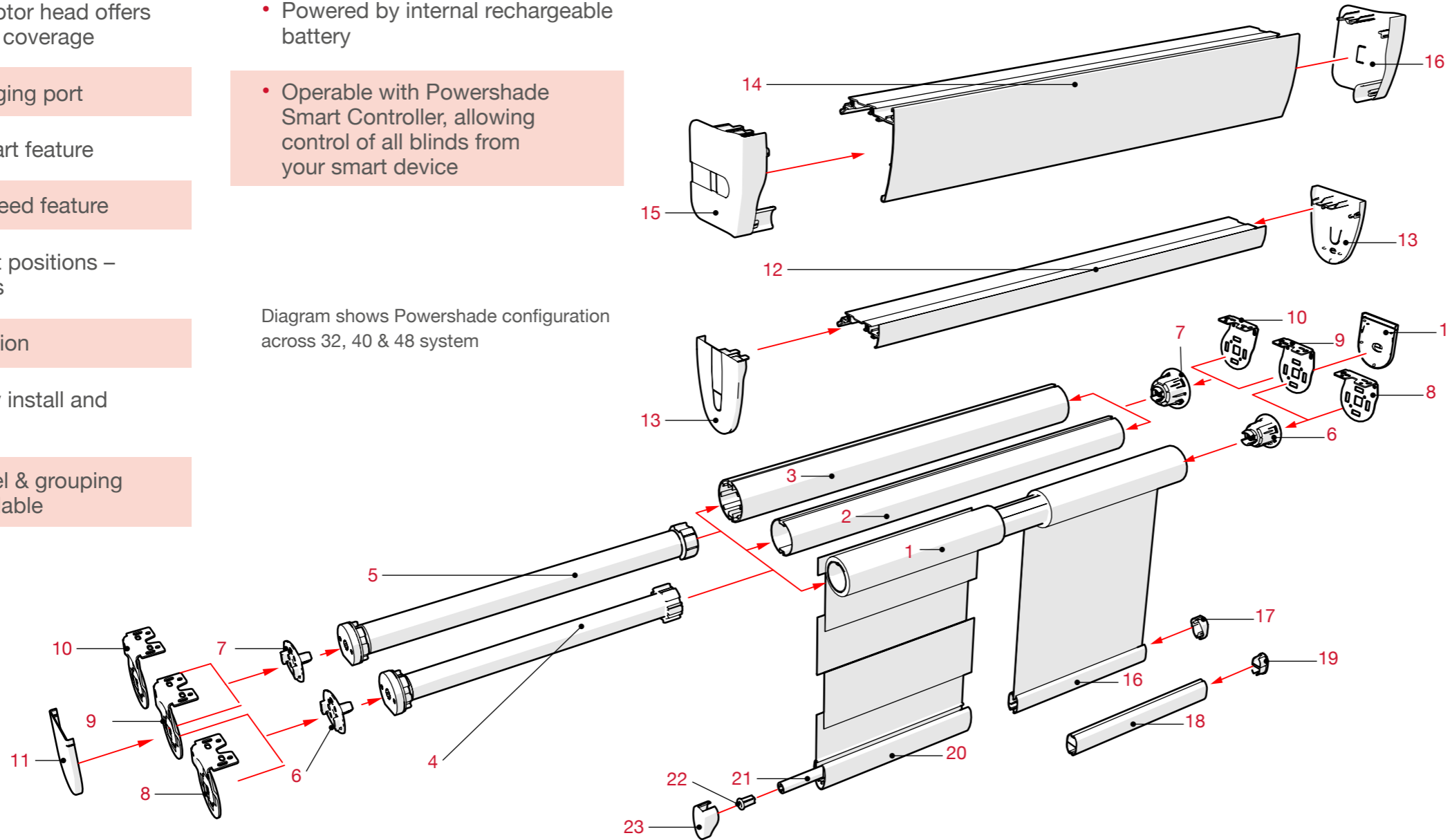
Senses Roller & Mirage System: POWERSHADE

POWERSHADE SYSTEM COMPATIBILITY

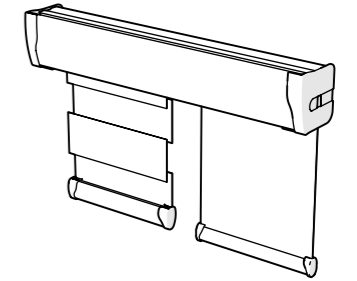
SYSTEM USPS, BENEFITS & FEATURES

- Child safe by design
- Ultra-thin motor head offers better fabric coverage
- Type C charging port
- Soft stop/start feature
- Constant speed feature
- Multiple limit positions – up to 6 limits
- Quiet operation
- User friendly install and operation
- Multi channel & grouping options available
- Competitive range of products
- Powered by internal rechargeable battery
- Operable with Powershade Smart Controller, allowing control of all blinds from your smart device

Diagram shows Powershade configuration across 32, 40 & 48 system

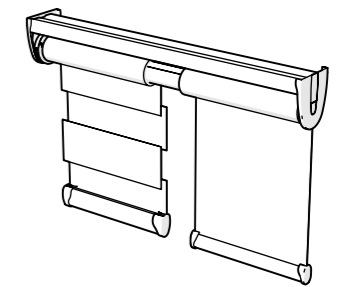


Senses Universal Fascia



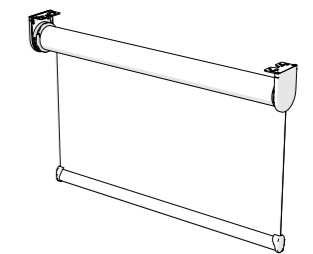
Compatible with 32, 40 & 48mm system as Roller & Mirage

Senses Mounting Profile



Compatible with 32, 40 & 48mm system as Roller & Mirage

Senses Standard Fit



Compatible with 32, 40 & 48mm system as Roller

INDEX

TUBE	MOTOR & PIN ENDS	BRACKETS	MOUNT PROFILE	FASCIA	BOTTOM BAR - ROLLER	BOTTOM BAR - MIRAGE
1. RH307 – 32mm Taped Tube 2. RH132 – 40mm Double Notched Tube 3. RH133 – 48mm Double Notched Tube	4. MH051 – 25mm Rechargeable Motor 5. MH052 – 28mm Rechargeable Motor 6. RH918, RH918GR, RH918BL – 32mm Pin End & Motor Adaptor Set 7. RH919, RH919GR, RH919BL – 40mm Pin End & Motor Adaptor Set	8. RH910, RH910S, RH910BL – Senses Roller Bracket Small 9. RH911, RH911S, RH911BL – Senses Roller Bracket Medium 10. RH912, RH912S, RH912BL – Senses Roller Bracket Large 11. RH913 – Senses Roller Bracket Cover	12. RH908, RH908S – Senses Mounting Profile 13. RH909, RH909CH – Senses Mounting Profile Endcap	14. RH906, RH906S, RH906BL, RH906AN, RH906CR – Senses Universal Fascia 15. RH907, RH907CH, RH907BCH, RH907AN, RH907CR – Senses Universal Fascia Endcap Set	16. RH6591, RH6591S, RH6591BL, RH6591AN, RH6591CR – Senses Aluminium No-Sew Bottom Bar 17. RH6592, RH6592CH, RH6592BCH, RH6592AN, RH6592CR – Senses Aluminium No-Sew Bottom Bar Endcap Set 18. RH6593 – Senses PVC No-Sew Bottom Bar 19. RH6594 – Senses No-Sew Endcap	20. RH211, RH211S, RH211BL, RH211AN, RH211CR – Senses Enclosed Profile Bottom Bar 21. RH203, RH203S, RH203BL, RH203AN, RH203CR – Senses Rolling Bottom Bar 22. RH207CL – Senses Rolling Bottom Bar Endcap 23. RH212, RH212CH, RH212BCH, RH212AN, RH212CR – Senses Enclosed Profile Endcap

COLOUR KEY:

W – White, CR – Cream, S – Silver, AN – Anthracite, BL – Black, CH – Chrome, BCH – Black Chrome, GR – Grey